

F&D



Lightweight Conveyor Belting and Power Transmission Specialists

# POLY V-BELTS



F&D



[www.fdoconnor.com.au](http://www.fdoconnor.com.au)

15 PELMET CRESCENT  
THOMASTOWN VIC 3074  
AUSTRALIA

PHONE: (03) 9462 4544  
FAX: (03) 9462 4744  
EMAIL: [belts@fdoconnor.com.au](mailto:belts@fdoconnor.com.au)

[www.fdoconnor.com.au](http://www.fdoconnor.com.au)

15 PELMET CRESCENT  
THOMASTOWN VIC 3074  
AUSTRALIA

PHONE: (03) 9462 4544  
FAX: (03) 9462 4744  
EMAIL: [belts@fdoconnor.com.au](mailto:belts@fdoconnor.com.au)

# Contents

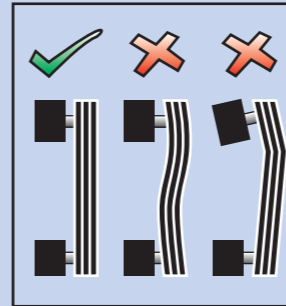
Ribbed V-Belts/Poly V-Belts .....2  
 J Section .....3  
 L Section .....4  
 M Section .....5  
 Fitting Instructions .....6



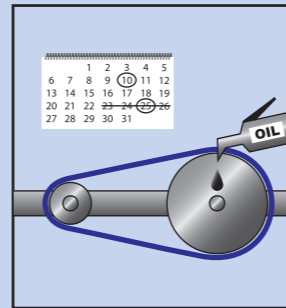
# Fitting Instructions

## General Instructions

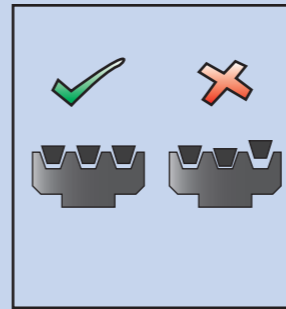
1. Check the pulley for alignment. Incorrect alignment will result in short belt life.



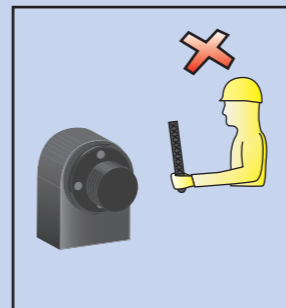
2. Check the metal and bearings of pulleys for periodic oiling.



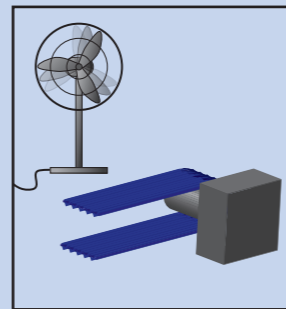
3. Check the pulley grooves to ensure they are all equal in dimensions and are not worn, burred or rusty.



4. Check the pulley for any wear and remove rust dirt or grease causing the belt to wear.

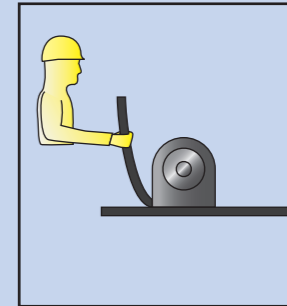


5. Enclosed pulley guards will the the belt life because they prevent heat dissipation. Keep proper ventilation with mesh guards.

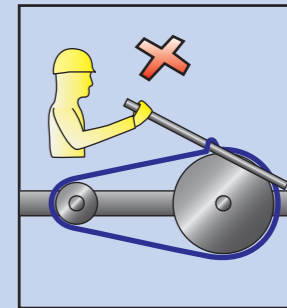


## Installation of V-Belts

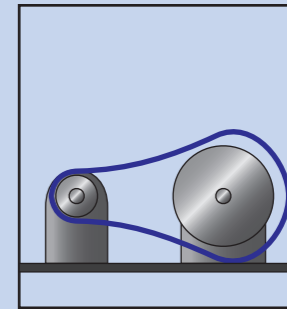
1. Locate the belt by moving the motor.



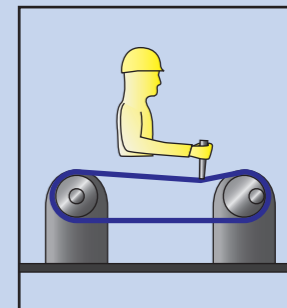
2. Do not use a lever to force the belt onto the pulleys.



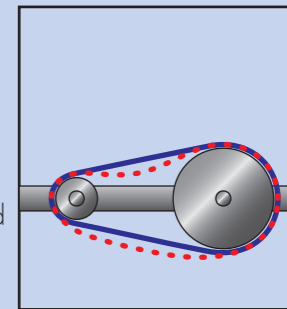
3. Locate the belt first on the drive pulley.



4. After a few days running of the belt, re-adjust take-up to correct belt tension.



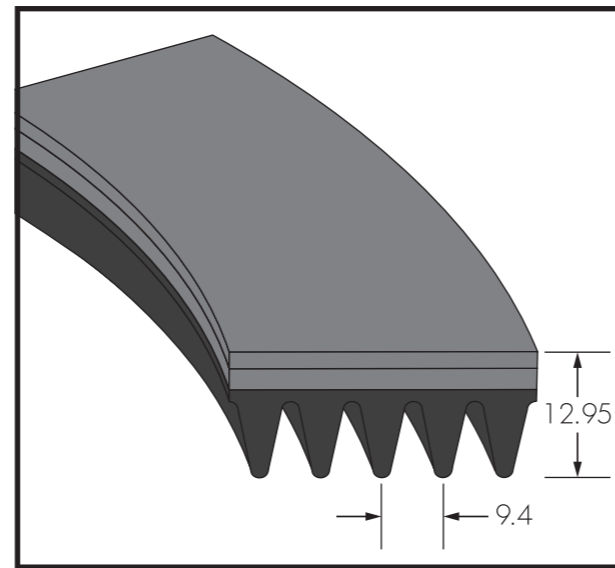
5. Avoid the combined use of new and used belts in the set, as this will shorten the belt life due to unbalanced stretch of belts.





# M Section

| mm    | Inch  |
|-------|-------|
| 2286  | 90.0  |
| 2388  | 94.0  |
| 2515  | 99.0  |
| 2693  | 106.0 |
| 2832  | 111.5 |
| 2921  | 115.0 |
| 3010  | 118.5 |
| 3124  | 123.0 |
| 3327  | 131.0 |
| 3531  | 139.0 |
| 3734  | 147.0 |
| 4089  | 161.0 |
| 4191  | 165.0 |
| 4470  | 176.0 |
| 4648  | 183.0 |
| 5029  | 198.0 |
| 5410  | 213.0 |
| 6121  | 241.0 |
| 6883  | 271.0 |
| 7646  | 301.0 |
| 8408  | 331.0 |
| 9169  | 361.0 |
| 9931  | 391.0 |
| 10693 | 421.0 |
| 12217 | 481.0 |
| 13741 | 541.0 |
| 15266 | 601.0 |



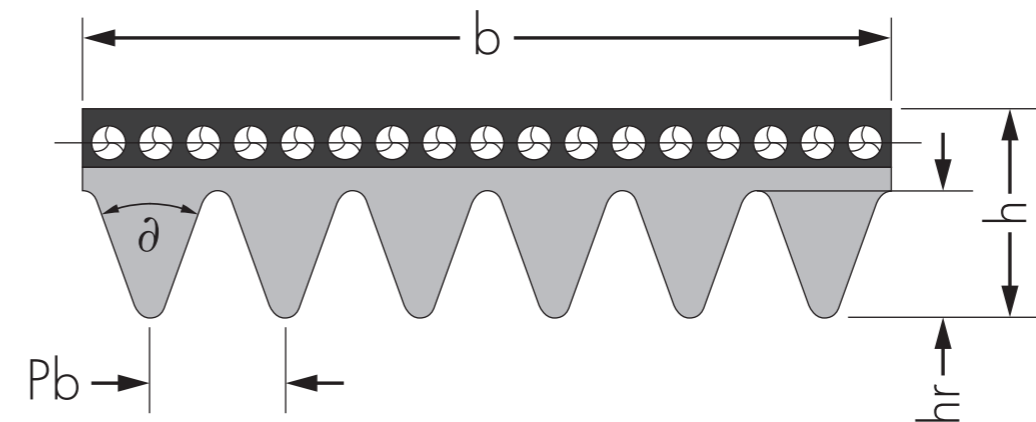
| Belt Widths |        |      |
|-------------|--------|------|
| No. of Ribs | mm     | Inch |
| 4           | 38.1   | 1.5  |
| 6           | 57.15  | 2.25 |
| 8           | 76.2   | 3    |
| 10          | 95.25  | 3.75 |
| 12          | 114.3  | 4.5  |
| 14          | 133.35 | 5.25 |
| 16          | 152.4  | 6    |
| 18          | 158.75 | 6.25 |
| 20          | 190.5  | 7.5  |

# Ribbed V-Belts/Poly V-Belts

Poly V-Belts offer smooth running and quiet performance. Heat, oil and abrasive resistant. Full range of belts and pulleys from our stock in pitches J, L, and M in selected stock lengths.

DESIGN • INSTALLATION • PERFORMANCE

| Profile | Max Rib | Pitch (mm) | Height of Belt (mm) | Applications  |
|---------|---------|------------|---------------------|---|
| PJ      | 80      | 2.34       | 3.56                | Health Apparatus, Dryers for Home and Business, Printing Machine, Machine |
| PL      | 29      | 4.7        | 9.65                | Tools, Cars.  |
| PM      | 20      | 9.4        | 12.95               |   |



$Pb = \text{Pitch}$

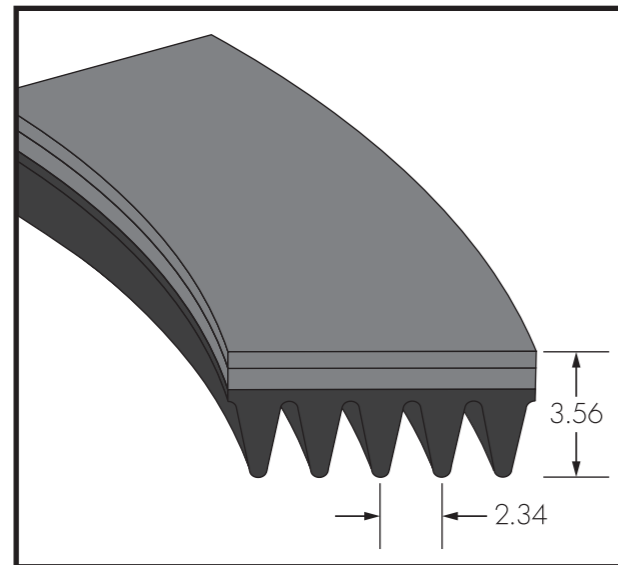
$h = \text{Height of Belt}$

$hr = \text{Rib Height}$

Angle  $\delta = 40^\circ$

# J Section

| mm   | Inch |
|------|------|
| 381  | 15.0 |
| 406  | 16.0 |
| 432  | 17.0 |
| 457  | 18.0 |
| 483  | 19.0 |
| 508  | 20.0 |
| 559  | 22.0 |
| 610  | 24.0 |
| 660  | 26.0 |
| 711  | 28.0 |
| 723  | 28.5 |
| 762  | 30.0 |
| 813  | 32.0 |
| 864  | 34.0 |
| 914  | 36.0 |
| 955  | 37.5 |
| 965  | 38.0 |
| 1016 | 40.0 |
| 1092 | 43.0 |
| 1105 | 43.5 |
| 1123 | 44.3 |
| 1130 | 44.5 |
| 1150 | 45.3 |
| 1168 | 46.0 |

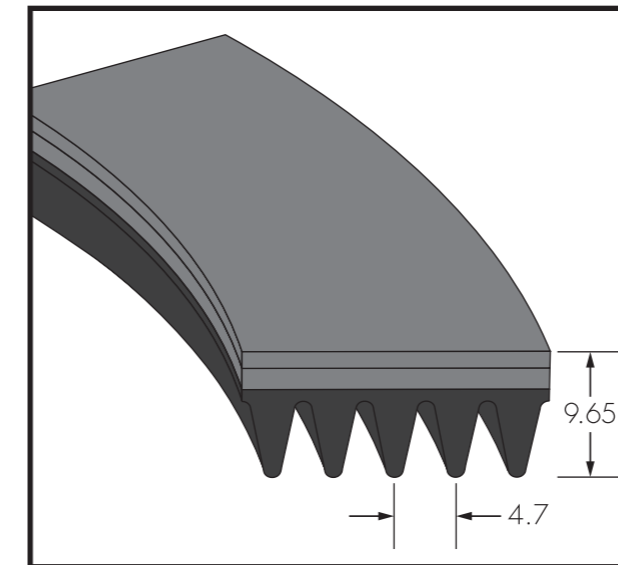


# L Section

| mm   | Inch              |
|------|-------------------|
| 1200 | 47.0              |
| 1244 | 49.0              |
| 1270 | 50.0              |
| 1280 | 50.5              |
| 1321 | 52.0              |
| 1355 | 53.4              |
| 1397 | 55.0              |
| 1428 | 56.0              |
| 1473 | 58.0              |
| 1549 | 61.0              |
| 1600 | 63.0              |
| 1651 | 65.0              |
| 1663 | 65.5              |
| 1752 | 69.0              |
| 1854 | 73.0              |
| 1910 | 75.2 (GATES ONLY) |
| 1956 | 77.0              |
| 1969 | 77.5              |
| 1992 | 78.5              |
| 2083 | 82.0              |
| 2210 | 87.0              |
| 2337 | 92.0              |
| 2489 | 98.0              |

| Belt Widths |         |        |
|-------------|---------|--------|
| No. of Ribs | mm      | Inch   |
| 4           | 9.525   | 0.375  |
| 6           | 14.2875 | 0.5625 |
| 8           | 19.05   | 0.75   |
| 10          | 23.8125 | 0.9375 |
| 12          | 28.575  | 1.125  |
| 16          | 38.1    | 1.5    |
| 20          | 47.625  | 1.875  |

| mm   | Inch |
|------|------|
| 954  | 37.5 |
| 991  | 39.0 |
| 1075 | 42.5 |
| 1270 | 50.0 |
| 1333 | 52.5 |
| 1371 | 54.0 |
| 1397 | 55.0 |
| 1422 | 56.0 |
| 1562 | 61.5 |
| 1613 | 63.5 |
| 1664 | 65.5 |
| 1715 | 67.5 |
| 1765 | 69.5 |
| 1803 | 71.0 |
| 1842 | 72.5 |
| 1943 | 76.5 |
| 1981 | 78.0 |
| 2019 | 79.5 |
| 2070 | 81.5 |
| 2096 | 82.5 |
| 2134 | 84.0 |
| 2197 | 86.5 |
| 2235 | 88.0 |



| mm   | Inch  |
|------|-------|
| 2324 | 91.5  |
| 2362 | 93.0  |
| 2476 | 97.5  |
| 2515 | 99.0  |
| 2705 | 106.5 |
| 2743 | 108.0 |
| 2845 | 112.0 |
| 2896 | 114.0 |
| 2921 | 115.0 |
| 2997 | 118.0 |
| 3086 | 121.5 |
| 3124 | 123.0 |
| 3289 | 129.5 |
| 3327 | 131.0 |
| 3493 | 137.5 |
| 3696 | 145.5 |
| 4051 | 159.5 |
| 4191 | 165.0 |
| 4470 | 176.0 |
| 4622 | 182.0 |
| 5385 | 212.0 |
| 6096 | 240.0 |

| Belt Widths |        |       |
|-------------|--------|-------|
| No. of Ribs | mm     | Inch  |
| 6           | 28.575 | 1.125 |
| 8           | 38.1   | 1.5   |
| 10          | 47.625 | 1.875 |
| 12          | 57.15  | 2.25  |
| 14          | 66.675 | 2.625 |
| 16          | 76.2   | 3     |
| 18          | 85.725 | 3.375 |
| 20          | 95.25  | 3.75  |